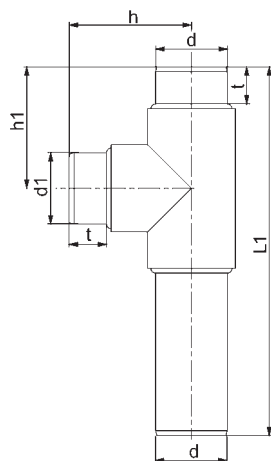
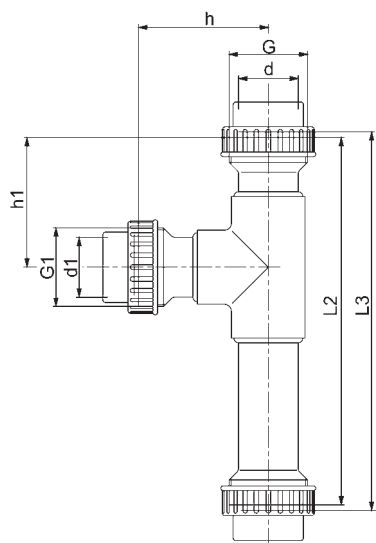


Pompa inżektorowa SP820

do mieszania, dozowania i transportu mediów płynnych

water-jet pump SP 820

for mixing, dosing and delivering fluids



Wielkość d 16 ... d 63

sizes

d (mm)	16	20	25	32	40	50	63
DN (mm)	10	15	20	25	32	40	50
DN (Zoll / inch)	3/8	1/2	3/4	1	1 1/4	1 1/2	2

Wymiary dimensions

d1	16,0	16,0	16,0	32,0	40,0	50,0	63,0
G	3/4	1	1 1/4	1 1/2	2	2 1/4	2 3/4
G1	3/4	3/4	3/4	1 1/2	2	2 1/4	2 3/4
h	35,0	35,0	45,0	71,0	87,0	105,0	128,0
h1	40,0	40,0	45,0	71,0	87,0	105,0	128,0
L1	-	-	-	-	-	-	-
L2	110,0	110,0	145,0	195,0	239,0	301,0	351,0
L3	116,0	116,0	151,0	201,0	245,0	307,0	357,0

Wielkość d 75 ... d 90

sizes

d (mm)						75	90
DN (mm)						65	80
DN (Zoll / inch)						2 1/2	3

Wymiary dimensions

d1						75,0	90,0
G						-	-
G1						-	-
h						115,0	149,0
h1						115,0	149,0
L1						388,0	465,0
L2						-	-
L3						-	-

Przyłącza: śrubunek DIN 8063 z mufą do wklejenia
DIN/ISO (PVC-U)
śrubunek DIN 8063 z mufą do spawania
DIN/ISO (PP, PVDF)
sztućcer do klejenia DIN/ISO (PVC-U)
sztućcer do spawania DIN/ISO (PP, PVDF)
connection: union socket ends DIN 8063 for solvent welding
DIN/ISO (PVC-U)
union socket ends DIN 8063 for fusion welding
DIN/ISO (PP, PVDF)
spigot ends for solvent welding acc. DIN/ISO (PVC-U)
spigot ends for fusion welding acc. DIN/ISO (PP, PVDF)

Info : standardowo dysza bez otworu (nieowiercona)
Attention: standard without nozzle bore