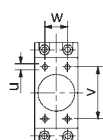
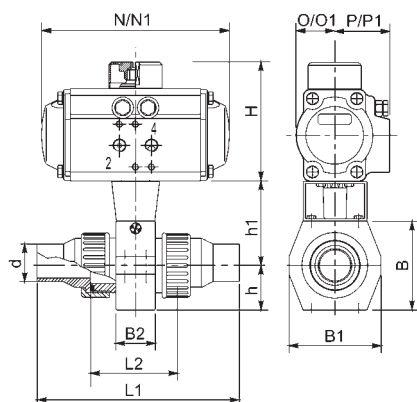
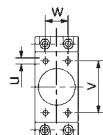
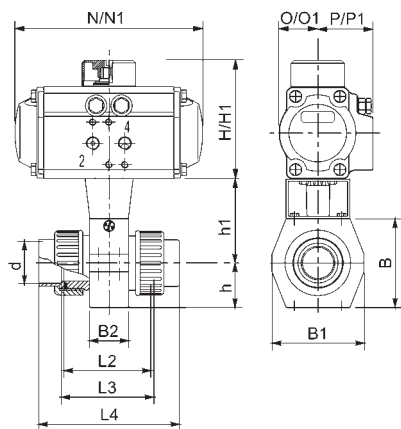


## Zawór kulowy Profi 101®, automatyczny z napędem pneumatycznym tłokowym

Optyczny wskaźnik położenia  
Funkcja NC, NO, DA  
Dowolny sposób zabudowy

ball valve Profi 101®, actuated valves  
with pneumatic actuator

visual position indicator  
control functions NC, NO, DA  
radial mounting and removal



### Wielkość sizes

d (mm)	16	20	25	32	40	50	63
DN (mm)	10	15	20	25	32	40	50
DN (Zoll / inch)	3/8	1/2	3/4	1	1 1/4	1 1/2	2

### Wymiary dimensions

	dk	13,5	13,5	18,0	23,5	30,5	38,5	49,0
	B	55,0	55,0	69,0	79,0	97,0	111,0	133,0
	B1	83,0	83,0	88,0	90,0	104,0	115,0	139,0
	B2	30,0	30,0	35,5	38,5	44,0	49,0	51,0
PVC-U	D1	41,0	41,0	51,0	58,0	72,0	80,0	100,0
PP	D1	-	46,0	56,0	66,0	79,0	87,0	107,0
	h	27,5	27,5	34,5	39,5	48,5	55,5	66,5
	h1	67,5	67,5	74,5	79,5	98,5	105,5	116,5
NC / NO	H	89,0	89,0	89,0	105,0	105,0	105,0	122,0
DA	H1	89,0	89,0	89,0	89,0	89,0	89,0	105,0
PVC-U	L1	-	174,0	186,0	191,0	202,0	205,0	225,0
PP	L1	-	173,0	185,0	189,0	201,0	205,0	225,0
PVC-U	L2	-	64,0	76,0	81,0	92,0	95,0	115,0
PP	L2	63,0	63,0	75,0	79,0	91,0	95,0	115,0
PVC-U	L3	-	70,0	82,0	87,0	98,0	101,0	121,0
PP	L3	69,0	69,0	81,0	85,0	97,0	101,0	121,0
PVC-U	L4	-	102,0	120,0	131,0	150,0	163,0	197,0
PP	L4	98,0	98,0	113,0	121,0	138,0	148,0	176,0
NC / NO	N	140,5	140,5	140,5	158,5	158,5	158,5	210,5
DA	N1	140,5	140,5	140,5	140,5	140,5	140,5	158,5
NC / NO	O	29,0	29,0	29,0	36,0	36,0	36,0	42,5
DA	O1	29,0	29,0	29,0	29,0	29,0	29,0	36,0
NC / NO	P	41,5	41,5	41,5	47,0	47,0	47,0	52,0
DA	P1	41,5	41,5	41,5	41,5	41,5	41,5	47,0
	u	5,0	5,0	5,0	5,0	6,0	6,0	6,0
	v	39,0	39,0	41,0	43,0	54,0	59,0	60,0
	w	13,5	13,5	18,5	20,5	20,5	25,5	27,5
NC / NO	2	1/8"	1/8"	1/8"	1/8"	1/8"	1/8"	1/8"
DA	2+4	1/8"	1/8"	1/8"	1/8"	1/8"	1/8"	1/8"

Przyłącza: Śrubunek z mufą do wklejenia wg DIN/ISO (PVC-U)  
Śrubunek z mufą lub sztyczerem do spawania  
wg DIN/ISO (PP, PE)  
connection: union socket ends for solvent welding DIN/ISO (PVC-U)  
union socket ends or spigot ends for fusion welding  
DIN/ISO (PP, PE)

Akcesoria rozdział 3.1  
accessories see chapter 3.1



Kugelhahn Profi 101®, PVC-U, PVC-U-Klebemuffe, mit pneumatischem Drehkolbenantrieb  
ball valve Profi 101®, PVC-U, PVC-U union socket ends for solvent welding, with pneumatic actuator