

Zawór kulowy C 100, automatyczny z napędem pneumatycznym tłokowym

optyczny wskaźnik położenia
funkcja NO;NC;DA
zabudowa pozioma lub pionowa

ball valve C 100, actuated valves with pneumatic actuator

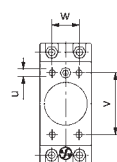
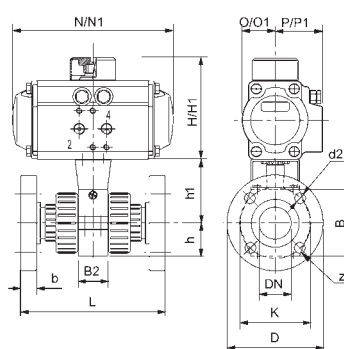
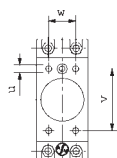
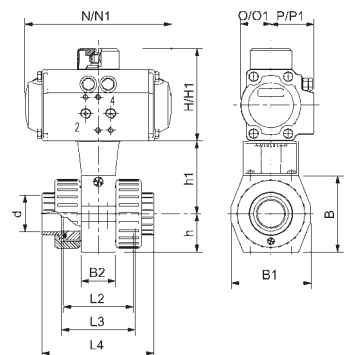
visual position indicator
control functions NC, NO, DA
radial mounting and removal

Wielkość sizes

d (mm)	16	20	25	32	40	50	63
DN (mm)	10	15	20	25	32	40	50
DN (Zoll / inch)	3/8	1/2	3/4	1	1 1/4	1 1/2	2

Wymiary dimensions

dk	13,5	13,5	18,0	23,5	30,5	38,5	49,0
B	55,0	55,0	69,0	79,0	97,0	111,0	133,0
B1	83,0	83,0	88,0	90,0	104,0	115,0	139,0
B2	30,0	30,0	35,5	38,5	44,0	49,0	51,0
PVC-U	b	-	12,0	13,0	14,0	17,0	20,0
PP	b	-	12,0	13,0	14,0	15,0	18,0
PVDF	b	-	12,0	13,0	14,0	15,0	18,0
PVC-U	D	-	95,0	105,0	115,0	140,0	150,0
PP	D	-	94,0	103,0	115,0	138,0	148,0
PVDF	D	-	93,0	103,0	115,0	137,0	147,0
f	-	-	-	-	-	-	-
h	27,5	27,5	34,5	39,5	48,5	55,5	66,5
h1	67,5	67,5	74,5	79,5	98,5	105,5	116,5
NC / NO	H	89,0	89,0	89,0	105,0	105,0	122,0
DA	H1	89,0	89,0	89,0	89,0	89,0	105,0
K	-	65,0	75,0	85,0	100,0	110,0	125,0
L	-	130,0	150,0	160,0	180,0	200,0	230,0
L2	59,0	59,0	72,0	76,0	86,0	93,0	113,0
PVC-U / PVC-C	L3	65,0	65,0	78,0	82,0	92,0	119,0
PP	L3	71,0	68,0	84,0	90,0	103,0	140,0
PVDF	L3	70,0	67,0	83,0	89,0	102,0	138,0
PVC-U / PVC-C	L4	97,0	97,0	116,0	126,0	144,0	197,0
PP	L4	97,0	97,0	116,0	126,0	144,0	195,0
PVDF	L4	96,0	96,0	115,0	125,0	143,0	194,0
NC / NO	N	140,5	140,5	140,5	158,5	158,5	210,5
DA	N1	140,5	140,5	140,5	140,5	140,5	158,5
NC / NO	O	29,0	29,0	29,0	36,0	36,0	42,5
DA	O1	29,0	29,0	29,0	29,0	29,0	36,0
NC / NO	P	41,5	41,5	41,5	47,0	47,0	52,0
DA	P1	41,5	41,5	41,5	41,5	41,5	47,0
u	5,0	5,0	5,0	5,0	6,0	6,0	6,0
v	39,0	39,0	41,0	43,0	54,0	59,0	60,0
w	13,5	13,5	18,5	20,5	20,5	25,5	27,5
z	4,0	4,0	4,0	4,0	4,0	4,0	4,0
NC / NO	2	1/8"	1/8"	1/8"	1/8"	1/8"	1/8"
DA	2 + 4	1/8"	1/8"	1/8"	1/8"	1/8"	1/8"



Przyłącza: mufa do wklejenia DIN/ISO PVC-U, PVC-C
Śrubunek z mufą lub sztucernem do wklejenia
DIN/ISO (PP, PE, PVDF)
Śrubunek z kołnierzem DIN 2501 PN 10/16
długość zabudowy wg DIN

connection: union socket ends for solvent welding
DIN/ISO (PVC-U, PVC-C)
union socket ends or spigot ends for fusion welding
DIN/ISO (PP, PE, PVDF)
unions with flanges DIN 2501 PN 10/16
with DIN face-to-face dimension

Akcesoria - patrz rozdział 3.1
accessories see chapter 3.1



Zawór kulowy C 100, PVC-U, PVC-U-mufa do wklejenia, z napędem pneumatycznym tłokowym
ball valve C 100, PVC-U, PVC-U union socket ends for solvent welding, with pneumatic actuator