

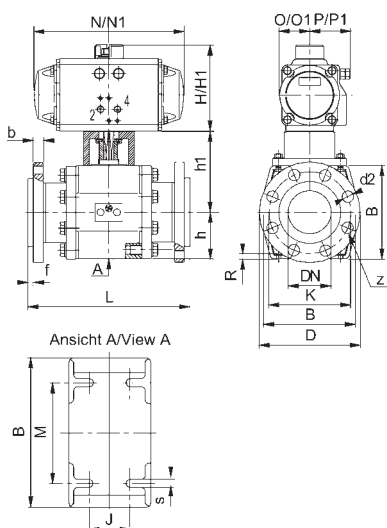
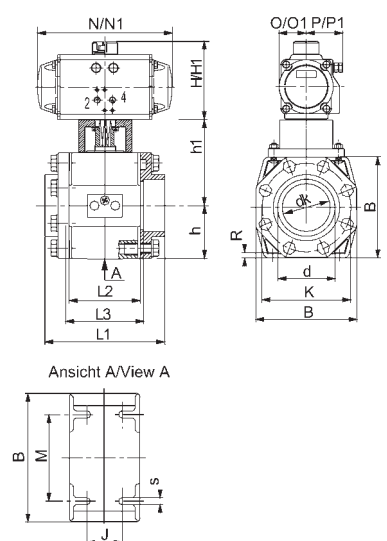
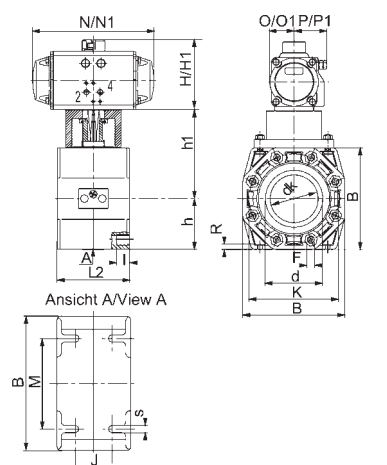
Zawór kulowy C 110, automatyczny z napędem pneumatycznym tłokowym

optyczny wskaźnik położenia, funkcja NC, NO, DA
dowolny sposób zabudowy

ball valve C 110, actuated valves
with pneumatic actuator

visual position indicator, control functions NC, NO, DA
radial mounting and removal

Wielkość
sizes



Przyłącza: międzykołnierzowy- krótka długość
Mufa do wklejenia wg DIN/ISO (PVC-U)
Mufa lub sztucer DIN/ISO (PP, PVDF)
Kołnierz PP/Stahl DIN 2501 PN 10/16 wg zab.DIN
connection: wafer type for short face-to-face dimension
flange socket ends for solvent welding DIN/ISO (PVC-U)
flange socket ends or spigot ends for fusion welding
DIN/ISO (PP, PVDF)
PP/steel flanges DIN 2501 PN 10/16 with
DIN face-to-face dimension

Wyposażenie: patrz rozdz. 3.1
accessories see chapter 3.1

d (mm)		75	90	110	140	160
DN (mm)		65	80	100	125	150
DN (Zoll / inch)		2 1/2	3	4	5	6

Wymiary
dimensions

	dk	64,0	77,0	94,0	94,0	135,0
PVC-U / PP	B	169,0	186,0	206,0	206,0	273,0
PVDF	B	168,0	182,0	202,0	202,0	264,0
	b	19,0	21,0	22,0	26,0	27,0
	D	186,0	201,0	221,0	251,0	286,0
	d2	18,0	18,0	18,0	18,0	22,0
	F	M 16	M 16	M 16	M 16	M 20
	f	10,0	11,0	12,0	14,0	16,0
NC / NO	H	147,0	147,0	175,0	175,0	175,0
DA	H1	135,0	135,0	135,0	135,0	147,0
PVC-U / PP	h	84,5	93,0	103,0	103,0	136,5
PVDF	h	84,0	91,0	101,0	101,0	132,0
PVC-U / PP	h1	194,5	203,0	213,0	213,0	246,5
PVDF	h1	194,0	201,0	211,0	211,0	242,0
PVC-U / PP	J	60,0	60,0	80,0	80,0	130,0
PVDF	J	57,0	57,0	76,0	76,0	124,0
	K	145,0	160,0	180,0	210,0	240,0
PVC-U	L1	206,0	236,0	276,0	-	386,0
PP / PVDF ¹⁾	L1	180,0	206,0	238,0	-	364,0
PVC-U / PP	L2	112,0	124,0	145,0	-	205,0
PVDF	L2	112,0	123,0	140,0	-	197,0
PVC-U	L3	118,0	134,0	155,0	-	214,0
PP	L3	118,0	134,0	155,0	-	-
PVDF	L3	118,0	133,0	150,0	-	-
	L	290,0	310,0	350,0	400,0	480,0
	l	20,0	20,0	20,0	20,0	30,0
PVC-U / PP	M	111,0	124,0	137,0	137,0	179,0
PVDF	M	111,0	122,0	133,0	133,0	175,0
NC / NO	N	268,5	268,5	315,0	315,0	315,0
DA	N1	247,5	247,5	247,5	247,5	268,5
NC / NO	O	56,0	56,0	64,0	64,0	64,0
DA	O1	49,5	49,5	49,5	49,5	56,0
NC / NO	P	67,0	67,0	77,0	77,0	77,0
DA	P1	56,8	56,8	56,8	56,8	67,0
	R	5,5	6,0	8,0	8,0	10,0
	S	8,5	8,5	8,5	8,5	8,5
	z	4,0	8,0	8,0	8,0	8,0
NC / NO	2	1/4"	1/4"	1/4"	1/4"	1/4"
DA	2 + 4	1/8"	1/8"	1/8"	1/8"	1/4"

1) d 160: Anschluss Schweißstutzen 1) d 160: connection spigot ends for butt welding



zawór kulowy C 110, PVDF, PP/Stahl-kołnierz, z napędem pneumatycznym tłokowym
ball valve C 110, PVDF, PP/steel flanges, with pneumatic actuator