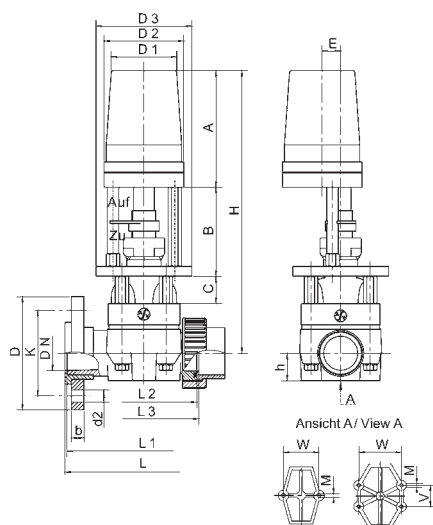


Zawór membranowy MV 310, automatyczny z napędem elektrycznym typ TA

napięcie zasilania 24 V DC
długość znormalizowana

diaphragm valve MV 310, actuated valves
with electric actuator type TA

voltage 24 V DC
face-to-face dimension



Wielkość sizes

| | | | | | | | |
|------------------|-----|-----|----|-------|-------|----|-------|
| d (mm) | 20 | 25 | 32 | 40 | 50 | 63 | 75 |
| DN (mm) | 15 | 20 | 25 | 32 | 40 | 50 | 65 |
| DN (Zoll / inch) | 1/2 | 3/4 | 1 | 1 1/4 | 1 1/2 | 2 | 2 1/2 |

Wymiary dimensions

| | | | | | | | |
|--------------------|-------|-------|-------|-------|-------|-------|-------|
| A | 105,0 | 170,0 | 170,0 | 170,0 | 170,0 | 170,0 | 170,0 |
| B | 87,0 | 87,0 | 104,0 | 104,0 | 115,0 | 115,0 | 99,0 |
| GFK-Flansch b | 12,0 | 14,0 | 15,0 | 17,0 | 17,0 | 18,0 | 18,0 |
| PP/Stahl-Flansch b | 13,0 | 14,5 | 15,5 | 17,5 | 17,5 | 19,0 | 19,0 |
| C | 24,0 | 24,0 | 30,0 | 30,0 | 39,0 | 39,0 | 150,0 |
| D | 95,0 | 105,0 | 115,0 | 140,0 | 150,0 | 165,0 | 185,0 |
| PVC-U D1 | 76,0 | 97,0 | 97,0 | 97,0 | 97,0 | 97,0 | 97,0 |
| PP D2 | 100,0 | 116,0 | 116,0 | 116,0 | 116,0 | 116,0 | 116,0 |
| PVDF D3 | 100,0 | 105,0 | 105,0 | 105,0 | 140,0 | 140,0 | 180,0 |
| d2 | 14,0 | 14,0 | 14,0 | 18,0 | 18,0 | 18,0 | 18,0 |
| E | 23,0 | 30,0 | 30,0 | 30,0 | 30,0 | 30,0 | 30,0 |
| f | 6,0 | 7,0 | 7,0 | 8,0 | 8,0 | 9,0 | 10,0 |
| H | 252,0 | 321,0 | 353,0 | 356,0 | 389,0 | 389,0 | 499,0 |
| h | 26,0 | 26,0 | 26,0 | 40,0 | 40,0 | 40,0 | 54,0 |
| K | 65,0 | 75,0 | 85,0 | 100,0 | 110,0 | 125,0 | 145,0 |
| L | 130,0 | 150,0 | 160,0 | 180,0 | 200,0 | 230,0 | 290,0 |
| L1 | 124,0 | 144,0 | 154,0 | 174,0 | 194,0 | 224,0 | 284,0 |
| L2 | 90,0 | 108,0 | 116,0 | 134,0 | 154,0 | 184,0 | - |
| L3 | 96,0 | 114,0 | 122,0 | 140,0 | 160,0 | 190,0 | - |
| M | M6 | M6 | M6 | M8 | M8 | M8 | M12 |
| PVC-U t | 16,0 | 19,0 | 22,0 | 26,0 | 31,0 | 38,0 | 44,0 |
| PP / PVDF t | 16,0 | 19,0 | 21,0 | 23,0 | 26,0 | 30,0 | 33,5 |
| v | - | - | - | - | - | - | - |
| W | 26,0 | 26,0 | 26,0 | 45,0 | 45,0 | 45,0 | 100,0 |
| Z | 4,0 | 4,0 | 4,0 | 4,0 | 4,0 | 4,0 | 4,0 |



Przyłącza: sztyczer do klejenia DIN/ISO (PVC-U)
sztyczer do spawania DIN/ISO (PP, PVDF)
śrubunek z mufą DIN 8063
DIN/ISO (PVC-U)
Śrubunek z mufą do spawania DIN 8063
DIN/ISO (PP, PVDF)
kołnierze z GFK, lub z PP/Stahl-Flansch DIN 2501
PN 10/16 długość wg DIN

connection: spigot ends for solvent welding DIN/ISO (PVC-U)
spigot ends for fusion welding DIN/ISO (PP, PVDF)
union socket ends DIN 8063 for solvent welding
DIN/ISO (PVC-U)
union socket ends DIN 8063 for fusion welding
DIN/ISO (PP, PVDF)
GFR or PP/steel flanges DIN 2501
PN 10/16 with DIN face-to-face dimension

Membrana z FPM na zapytanie
FPM diaphragm on request

Wyposażenie-patrz rozdział 3.1
accessories see chapter 3.1


Wielkość
sizes

| | | | | | | | |
|------------------|--|--|--|--|--|----|-----|
| d (mm) | | | | | | 90 | 110 |
| DN (mm) | | | | | | 80 | 100 |
| DN (Zoll / inch) | | | | | | 3 | 4 |

Wymiary
dimensions

| | | | | | | | |
|------------------|----|--|--|--|--|-------|-------|
| | A | | | | | 170,0 | * |
| | B | | | | | 104,0 | * |
| GFK-Flansch | b | | | | | 20,0 | 20,0 |
| PP/Stahl-Flansch | b | | | | | 21,0 | 22,0 |
| | C | | | | | 150,0 | * |
| | D | | | | | 200,0 | 220,0 |
| PVC-U | D1 | | | | | 97,0 | * |
| PP | D2 | | | | | 116,0 | * |
| PVDF | D3 | | | | | 180,0 | * |
| | d2 | | | | | 18,0 | 18,0 |
| | E | | | | | 30,0 | * |
| | f | | | | | 11,0 | 12,0 |
| | H | | | | | 507,0 | * |
| | h | | | | | 54,0 | 64,0 |
| | K | | | | | 160,0 | 180,0 |
| | L | | | | | 310,0 | 350,0 |
| | L1 | | | | | 300,0 | 340,0 |
| | L2 | | | | | - | - |
| | L3 | | | | | - | - |
| | M | | | | | M12 | M10 |
| PVC-U | t | | | | | 52,0 | 61,0 |
| PP / PVDF | t | | | | | 38,0 | 45,0 |
| | v | | | | | - | 60,0 |
| | w | | | | | 100,0 | 120,0 |
| | z | | | | | 8,0 | 8,0 |

* Wymiary na zapytanie * dimensions on request