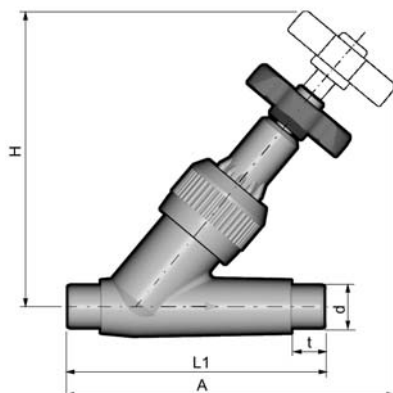


zawór zamykający skośny SV 300

dobra charakterystyka regulacji

angle seat valve SV 300

excellent control characteristics



Wielkość sizes

d (mm)		20	25	32	40	50	63
DN (mm)		15	20	25	32	40	50
DN (Zoll / inch)		1/2	3/4	1	1 1/4	1 1/2	2

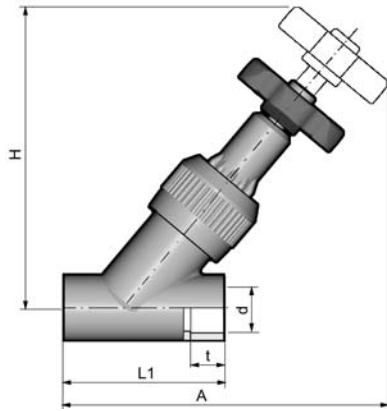
Wymiary dimensions

PVC-U	A	165,0	168,0	180,0	224,0	252,0	306,0
PP / PVDF	A	165,0	168,0	180,0	224,0	252,0	306,0
PVC-U	H	135,0	135,0	143,0	182,0	204,0	246,0
PP / PVDF	H	135,0	135,0	143,0	182,0	204,0	246,0
PVC-U	L1	124,0	144,0	154,0	174,0	194,0	224,0
PP / PVDF	L1	124,0	144,0	154,0	174,0	194,0	224,0
PVC	t	16,0	19,0	22,0	26,0	31,0	38,0
PP / PVDF	t	14,5	16,0	18,0	20,5	23,5	27,5

Przyłącza: sztucer do klejenia DIN/ISO (PVC-U), DN 15 do DN 50
mufa do klejenia DIN/ISO (PVC-U), DN 65 do DN 100
sztucer do spawania DIN/ISO (PP, PVDF), DN 15 do DN 50

connection: spigot ends for solvent welding DIN/ISO (PVC-U),
DN 15 up to DN 50
socket ends for solvent welding DIN/ISO (PVC-U),
DN 65 up to DN 100
spigot ends for fusion welding DIN/ISO (PP, PVDF),
DN 15 up to DN 50

Dodatki: Element mocujący z tworzywa DN 20 do DN 50 na zapytanie
accessories: thermoplastic valve supports DN 20 up to DN 50
on request



Baugrößen
sizes

d (mm)					75	90	110
DN (mm)					65	80	100
DN (Zoll / inch)					2 1/2	3	4

Maße
dimensions

PVC-U	A				374,0	423,0	498,0
PP / PVDF	A				-	-	-
PVC-U	H				326,0	368,0	420,0
PP / PVDF	H				-	-	-
PVC-U	L1				243,0	262,0	325,0
PP / PVDF	L1				-	-	-
PVC	t				44,0	51,0	61,0
PP / PVDF	t				-	-	-